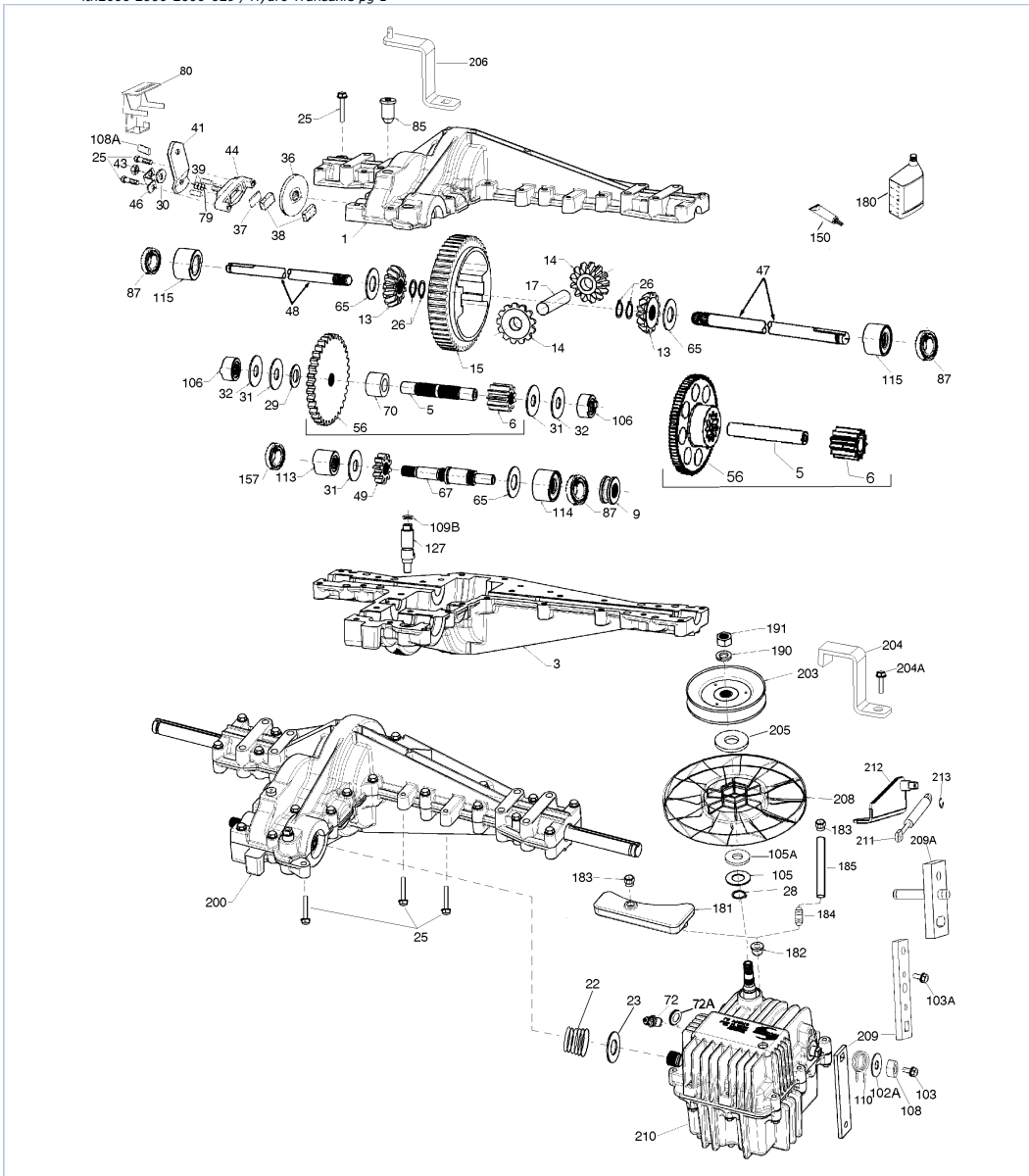


lth2000 2000-2000-029 / Hydro Transaxle pg 1

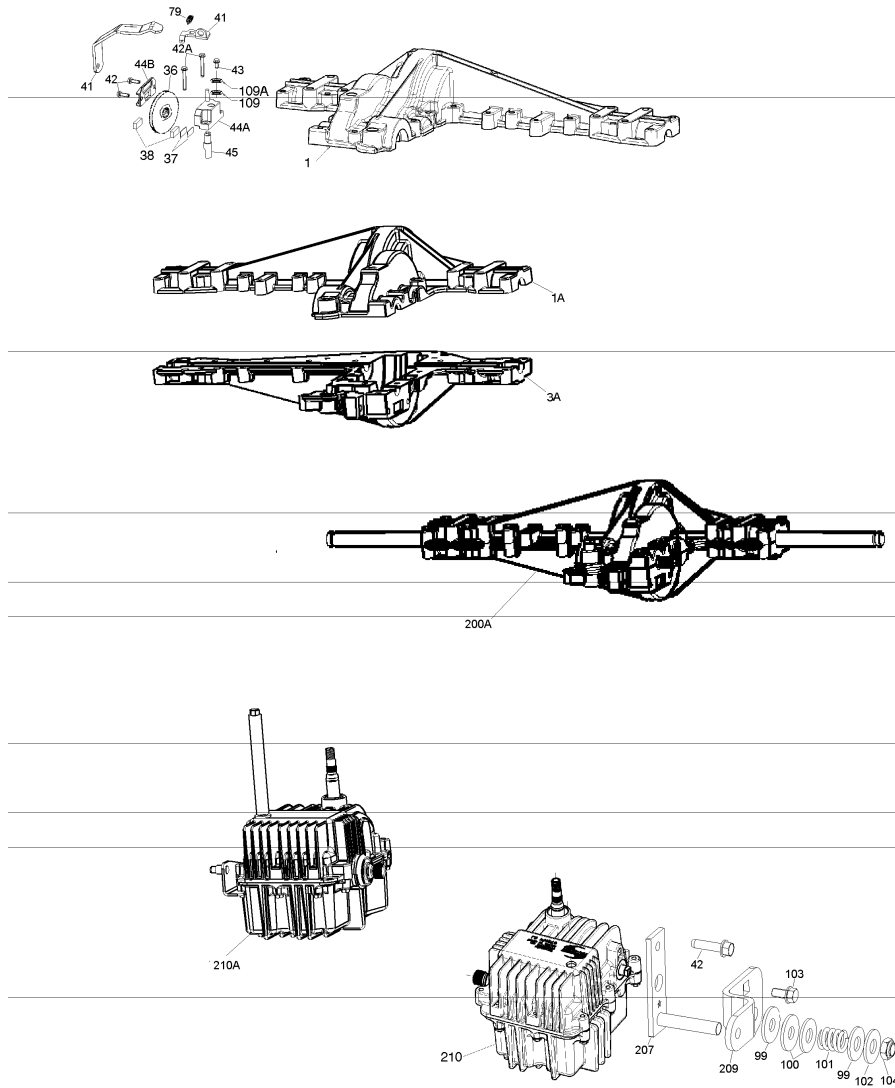


Part List

lth2000 2000-2000-029 / Hydro Transaxle pg 1

REF #	ITEM #	DESCRIPTION	QTY	REMARK
5	776445	Counter Shaft	1	
6	778387	Spur Gear 11T	1	
9	786197	Neutral Sleeve .572L	1	
13	778368	Bevel Gear 13T (Incl. 14)	2	
14	778368	Bevel Gear 13T (Incl. 13)	2	
15	778373	Ring Gear 54T	1	
17	786139	Drive Pin	1	
22	792194	Spring	1	
23	792195	Washer .750ID .032T	1	
25	792073A	Screw 1/4-20 x 1.25	27	
26	792125	Retaining Ring	4	
28	792035	Retaining Ring	1	
29	780179	Washer .627ID .140W	1	
30	792076A	Washer .312ID .059W	1	
31	780189	Washer .563ID .062W	2	
36	790075	Brake Disk	1	
37	790007	Brake Pad Plate	1	
38	799021	Brake Pad	2	
39	786026	Dowel Pin .3125 x .750	2	
41	790097	Brake Lever	1	
43	792075	Lock Nut 5/16-24	1	
44	790025	Brake Pad Holder	1	
46	786086	Bracket	1	
47	774953	Axle 14.750	1	
48	774954	Axle 9.562	1	
49	778388	Spur Gear 18T	1	
56	778386	Spur Gear 81T	1	
65	780001	Washer .750ID .056W	3	
67	776440	Brake Shaft	1	
80	790098	Brake Lever Guide	1	
85	792154	Oil Fill Plug	1	
87	788088A	Oil Seal .750	3	
103	792193	Screw 1/4-28 x .490	1	
103A	792205	Screw, 1/4-20 x .406	2	
105	780096	Washer .625ID .057W	1	
106	786205	Needle Bearing & Sleeve Assembly	2	
108	786202	Spacer .510ID	1	
109B	788104	O-Ring .364ID	1	
110	798052	Neutral Return Spring	1	
113	786199	Sleeve Assembly (Incl. 157)	1	
114	786200	Sleeve Assembly (Incl. 87)	1	
115	786198	Sleeve Assembly (Incl. 87)	2	
127	784385	Shift Lever Assembly (Incl. 109)	1	
150	788093A	Liquid Gasket RTV Silicon	1	
157	788102	Oil Seal .5625ID	1	
180	730229B	Gear Oil 80W90	1	
182	788103	Grommet	1	
183	792118	Relief Valve	1	
184	792196	Hose Barb	1	
185	798050	Tubing .50 x 5	1	
190	792150	Washer .443ID .109W	1	
191	792151	Nut 7/16-20	1	
200	794740	Differential RH	1	Gear Reduction Drive
203	798046	Pulley & Hub Assembly	1	
208	798040	Fan	1	
209	798047A	Control Lever	1	
209A	798051	Shift Lever Assembly	1	
210	794786	Hydro Module RH (Foot Control)	1	
211	798048	Shock	1	
212	798049	Shock Bracket	1	
213	792197	E-clip	2	

lth2000a 2000-2000-029 / Hydro Transaxle pg 2



Part List

lth2000a 2000-2000-029 / Hydro Transaxle pg 2

REF #	ITEM #	DESCRIPTION	QTY	REMARK
1A	772154	Cover RH (Mach)	1	
3A	770136	Case RH (Cast)	1	
36	790075	Brake Disk	1	
37	790007	Brake Pad Plate	1	
38	799021	Brake Pad	2	
41	790097	Brake Lever	1	
42	792177	Screw 1/4-20 x 1.375	2	
43	792075	Lock Nut 5/16-24	1	
103	792193	Screw 1/4-28 x .490	1	
209	798047A	Control Lever	1	
210	794786	Hydro Module RH (Foot Control)	1	